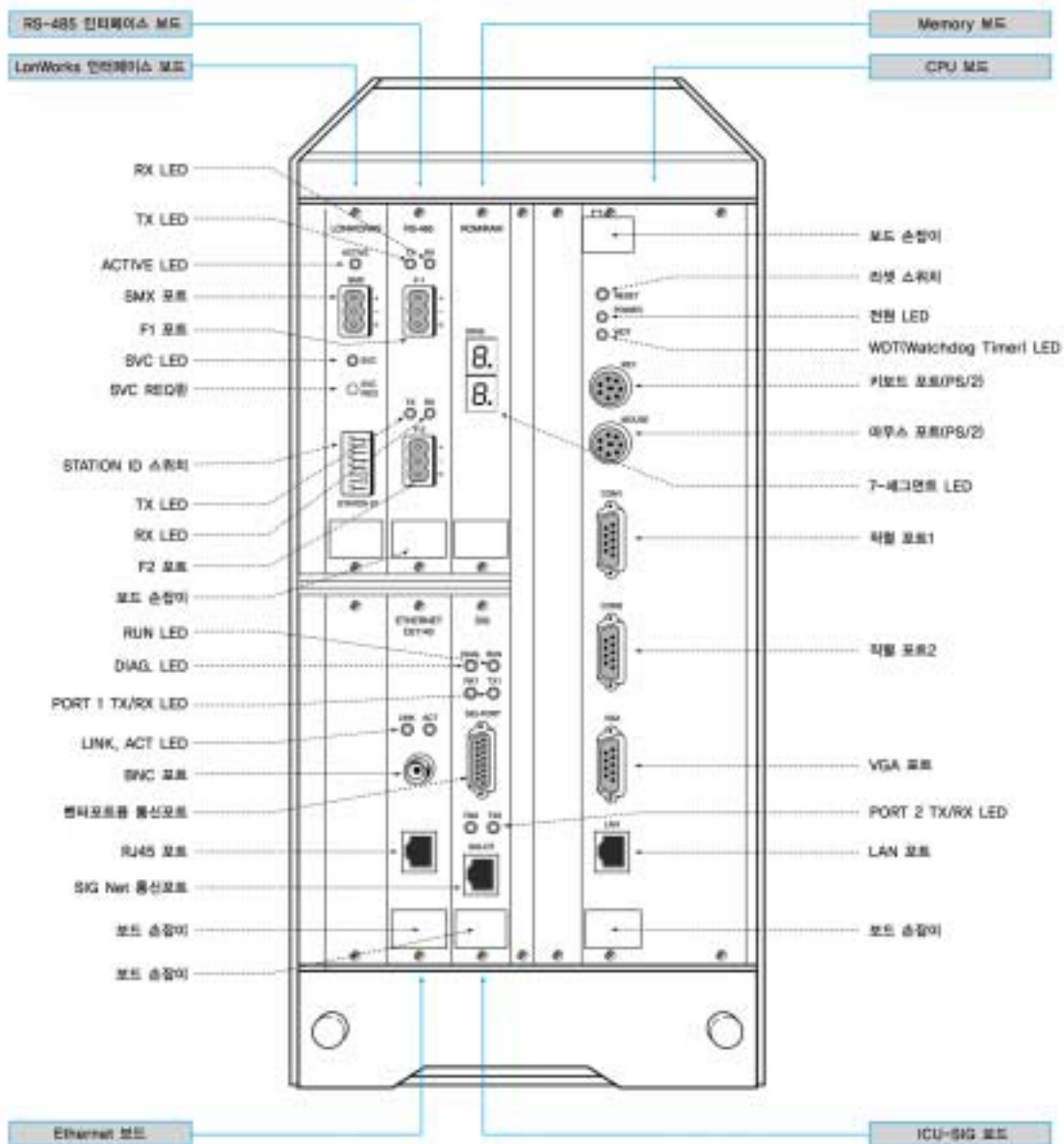


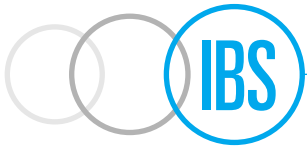
ICU-550B

| | | |
|-----------|-----------|---------------------------------|
| Backplane | | 3CompactPCI, 3ISA Slot |
| | Rev. A | 1CompactPCI, 5ISA Slot |
| CPU | CPU | NS Geode 266Hz |
| | DRAM | EDO DRAM 8MB (256MB) |
| | | CompactPCI, ISA, E-IDE 2 |
| Ethernet | | Compactpci bus |
| | UTP | 100BASE-TX 10BASE-T |
| | BNC | 10BASE2 |
| Memory | | ISA |
| | Flash ROM | 2MB |
| | SRAM | 4MB |
| RS-485 | | 7 가 |
| | | ISA |
| | UART | 16C550(16*2 FIFO) RS-485 2 |
| LonWorks | | ISA |
| | CPU | Neuron CPU MC143150B1FU1(10MHz) |
| | | FTT-10A Free Topology |
| ICU-SIG | | ISA |
| | CPU | 80C386EXTC-25 |
| | Flash ROM | 1.5MB |
| | SRAM | 2MB |
| | | RS-232C 2 |

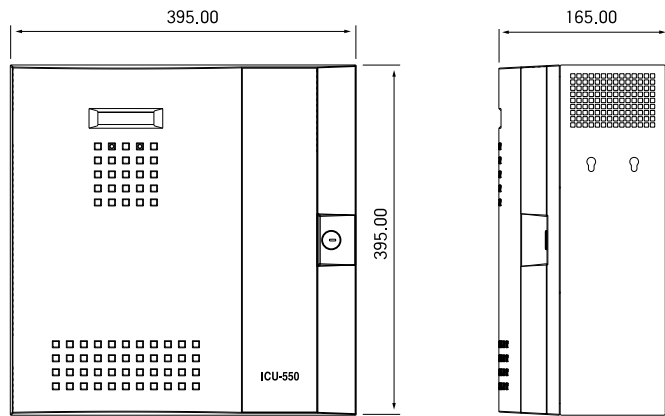
ICU-550B

ICU-550

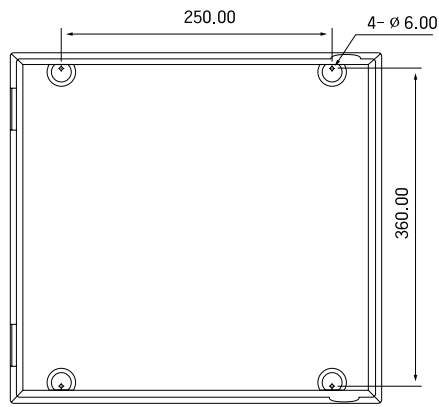




ICU-550B



정면



배면